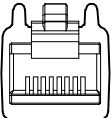

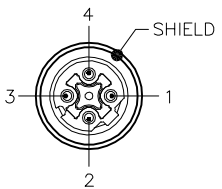
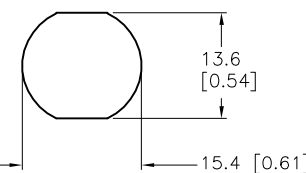
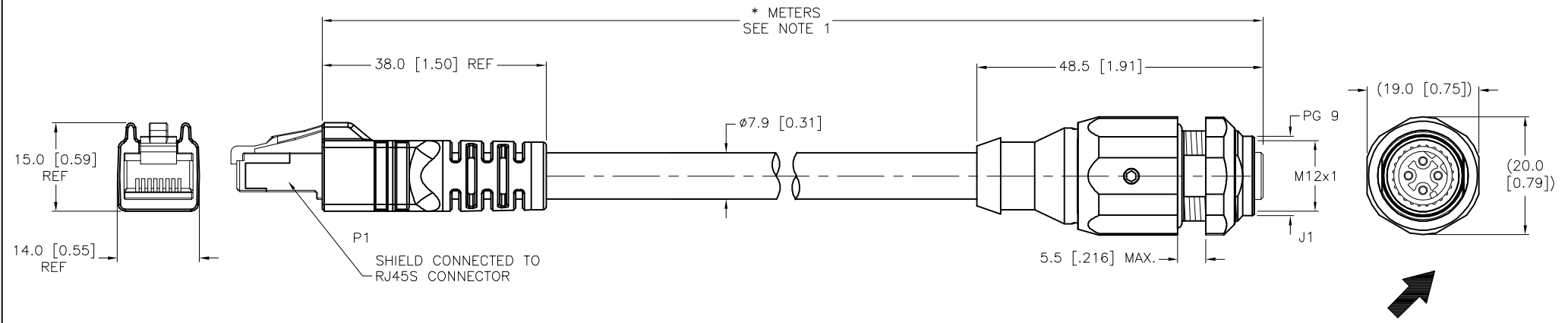


RJ45S END VIEW	FEMALE END VIEW	TYPICAL PANEL CUTOUT	SPECIFICATIONS	
 <p>12345678</p> <p>1 = YELLOW (+TD) 2 = ORANGE (-TD) 3 = WHITE (+RD) 4 = N/C 5 = N/C 6 = BLUE (-RD) 7 = N/C 8 = N/C</p> 	 <p>1 = YELLOW (+TD) 2 = WHITE (+RD) 3 = ORANGE (-TD) 4 = BLUE (-RD)</p>	 <p>13.6 [0.54] 15.4 [0.61]</p>	CONTACT CARRIER MATERIAL/COLOR (P1)	POLYCARBONATE/CLEAR
			MOLDED HEAD MATERIAL/COLOR (P1)	TPU/BLACK
			CONTACT MATERIAL/PLATING (P1)	BRONZE/GOLD
			CONTACT CARRIER MATERIAL (J1)	TPU
			MOLDED HEAD MATERIAL/COLOR (J1)	TPU/BLUE-GRAY
			CONTACT MATERIAL/PLATING (J1)	BRASS/GOLD
			COUPLING NUT MATERIAL/PLATING (J1)	BRASS/NICKEL
			RATED CURRENT [A]	1.5 A
RATED VOLTAGE [V]	42 V			
OUTER CABLE JACKET MATERIAL/COLOR	TPE/BRIGHT GREEN			
CONDUCTOR INSULATION MATERIAL	HDPE			
NUMBER OF CONDUCTORS [AWG]	4x22 AWG, STRANDED, CAT 5E			
SHIELDING	ALUM.-POLYESTER FOIL & T-C BRAIDED			
TEMPERATURE RANGE	-40°C to +80°C (-40°F to +176°F)			
PROTECTION CLASS	MEETS IEC IP67 (IP20: P1)			
MAX. PANEL THICKNESS	5.5mm [0.216"]			



CABLE LENGTH	TOLERANCE*
ALL LENGTHS	+ 4% (OR 50mm) OF LENGTH - 0% (OR 0mm) OF LENGTH WHICHEVER IS GREATER
STRIP LENGTH	TOLERANCE*
0-7mm	±0.5mm
8-29mm	±1.0mm
30-49mm	±2.0mm
50-69mm	±3.0mm
70-100mm	±4.0mm
OVER 100mm	±5.0mm

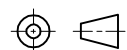
* UNLESS OTHERWISE SPECIFIED

NOTES:

1. "*" INDICATES CABLE LENGTH IN METERS. CONTACT TURCK TO ORDER SPECIFIC LENGTHS.

2. "/C1195" DESIGNATES PERFORMANCE TESTING USING A FLUKE CABLE ANALYZER. TEST RESULT INCLUDED IN PACKAGING.

SOURCE DRAWING - FOR REFERENCE ONLY

RELATED DOCUMENTS	3RD ANGLE PROJECTION	THIS DRAWING IS CONFIDENTIAL AND THE PROPERTY OF TURCK INC. USE OF THIS DOCUMENT WITHOUT WRITTEN PERMISSION IS PROHIBITED.		3000 CAMPUS DRIVE MINNEAPOLIS, MN 55441 1-800-544-7769 (763) 553-7300 (763) 553-0708 fax www.turck.us	
1.		DRFT	RDS	DATE	06/28/12
2.		APVD	E.S.	SCALE	1=1.0
3.	ALL DIMENSIONS DISPLAYED ON THIS DRAWING ARE FOR REFERENCE ONLY	UNIT OF MEASUREMENT		DESCRIPTION	
4.		MILLIMETER [INCH]		RJ45S FKSDDED 420-*M/C1195	
MATERIAL	CONTACT TURCK FOR MORE INFORMATION	IDENTIFICATION NO.		REV	
FINISH		DO NOT SCALE THIS DRAWING		E	
FILE: 777029374		SHEET 1 OF 1			

E	UPDATED CABLE OD	ER	10/23/18	64291
REV	DESCRIPTION	BY	DATE	ECO NO.